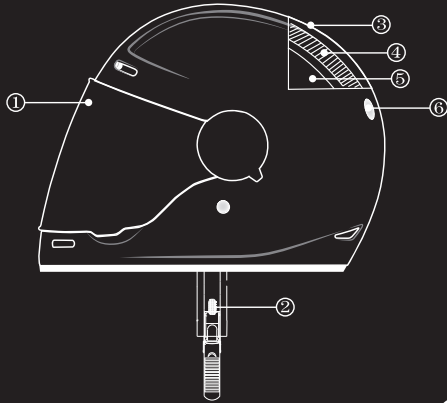


- 1.VISOR
- 2.CHIN STRAP
- 3.SHELL
- 4.IMPACT ABSORBENT LINER
- 5.COMFORT PADDING
- 6.BACK VENT



**TORC**  
HELMETS

Thanks for choosing TORC helmets

# USER'S GUIDE

For your safety, it is important  
that you completely read the  
user's guide and all warning labels.



Model No: T1

## USER'S GUIDE

### IMPORTANT

Before using your new helmet, Please take a moment to read the following instruction for its use and care.

### VERY IMPORTANT

Our helmets are manufactured in accordance with the latest technology and are specifically designed for motorcycling. Their effectiveness for any other use is left to the owner. Wearing a helmet doesn't exclude the possibility of injury in case of an accident. Some head impacts, reasonable unforeseeable accidents, may exceed the helmet's capacity to protect the wearer from disabling or mortal head injuries.

### INSTRUCTIONS FOR USE

**RETENTION SYSTEM:** The retention system must always be carefully set and locked.

**POSITION:** Make sure that the helmet fits your head perfectly.

**SCARFS:** Never wear scarf and other similar clothes under the retention system. Always make sure that nothing prevents the air to flow inside the helmet.

**VISIBILITY:** Your visor must always be clean and have no scratches. Never use smoked visors at night or when visibility is poor. Immediately replace worn out visors with a genuine replacement: your safety is at risk.

**NO MODIFICATIONS:** Never make changes to any part of your helmet. Do not cut the shell or other parts of it, don't put screws and most of all do not use paint. If your helmet really needs to be painted, ask us about the products to use.

**INSPECTIONS/REPLACEMENTS:** The helmet is designed to absorb the energy of a blow or a collision by destroying some of its components, in case of a further blow it wouldn't protect you any longer. **After an accident, the helmet must be replaced even though it doesn't show external damages.** When in doubt, ask us to check it.

**TRANSPORT:** Do not carry your helmet hanging on your motorcycle. Keep it away from exhaust pipes and heat sources.

**CARE AND CLEANING:** Never use solvents, petrol or other detergent agents to clean the shell and the interior of your helmet. Only use water and neutral soap. The padding may be cleaned with the products mentioned above and with the help of a brush. Clean your visor only with water and soap and then let it dry in the open air. Do not expose it to heat sources.

**SPARE PARTS:** Use only genuine spare parts for your helmet.

### SUGGESTIONS FOR PURCHASE

**SIZE:** Choose your size by checking the circumference of your head with a flexible tape measure.

**CHOOSING YOUR SIZE:** Always try on helmets of at least two different sizes until you find the helmet that fits closely and comfortable. A method of finding your right size is wearing the helmet in front of a mirror, turning gently the helmet around your head, the skin of your temples should move along with the helmet.

**ADHERENCE:** Make sure that when the retention system is open, the helmet doesn't move laterally, or even worse, doesn't turn around your head.

**RETENTION SYSTEM:** The retention system must be well set. The chinstrap must pass under the chin as far back as possible towards the throat and must be tightened as much as possible. The right degree of tension is reached when you find it difficult to put your finger between the chinstrap and the throat but still you can breathe and swallow easily. Make sure that after locking the retention system, the helmet cannot be taken off.

**MOVEMENTS:** Always make sure that the helmet doesn't hamper your movements, such as turning your head to look behind you.

**COMFORT:** Wear the helmet as long as possible, make sure the pressure won't cause you stiffness or headache.

**VISOR:** Make sure that the visor can be opened with one hand even with gloves on. This description is only used for the helmets with visors.

**HOMOLOGATION:** Make sure that the helmet has a sticker which certifies homologation.